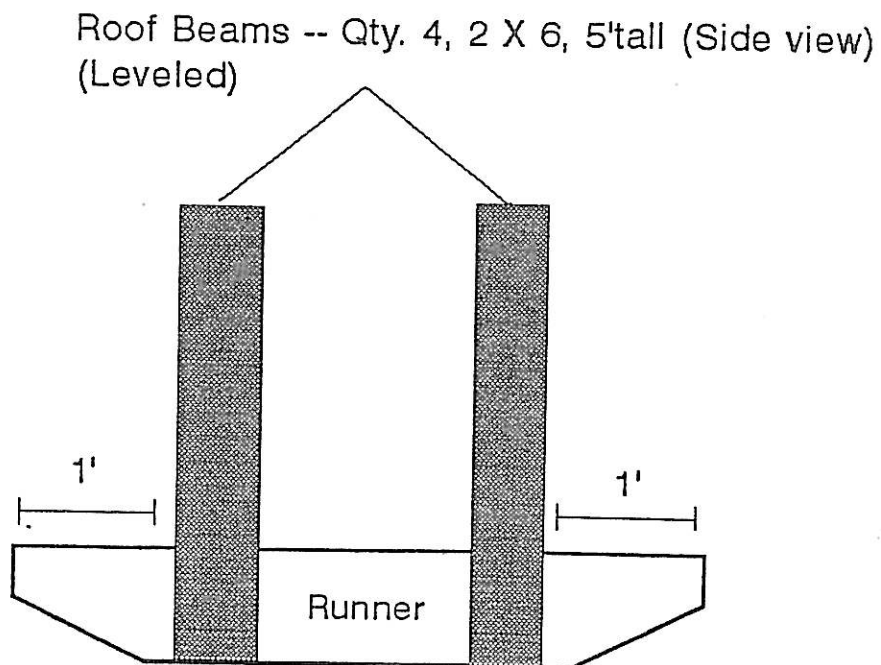
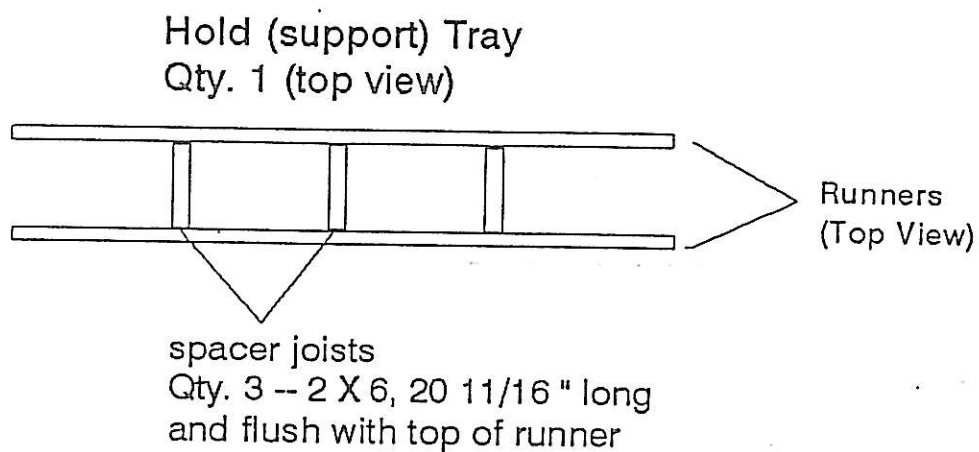
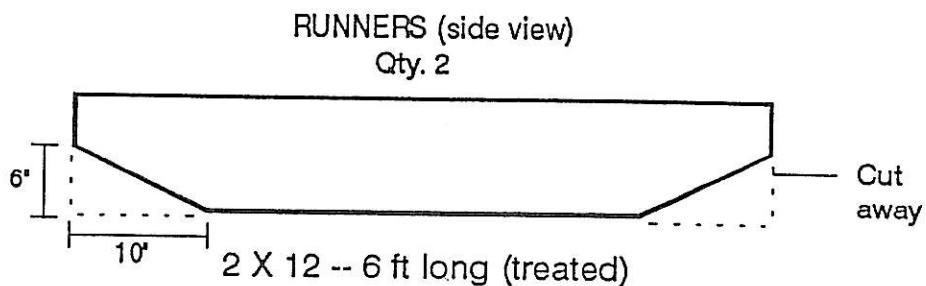


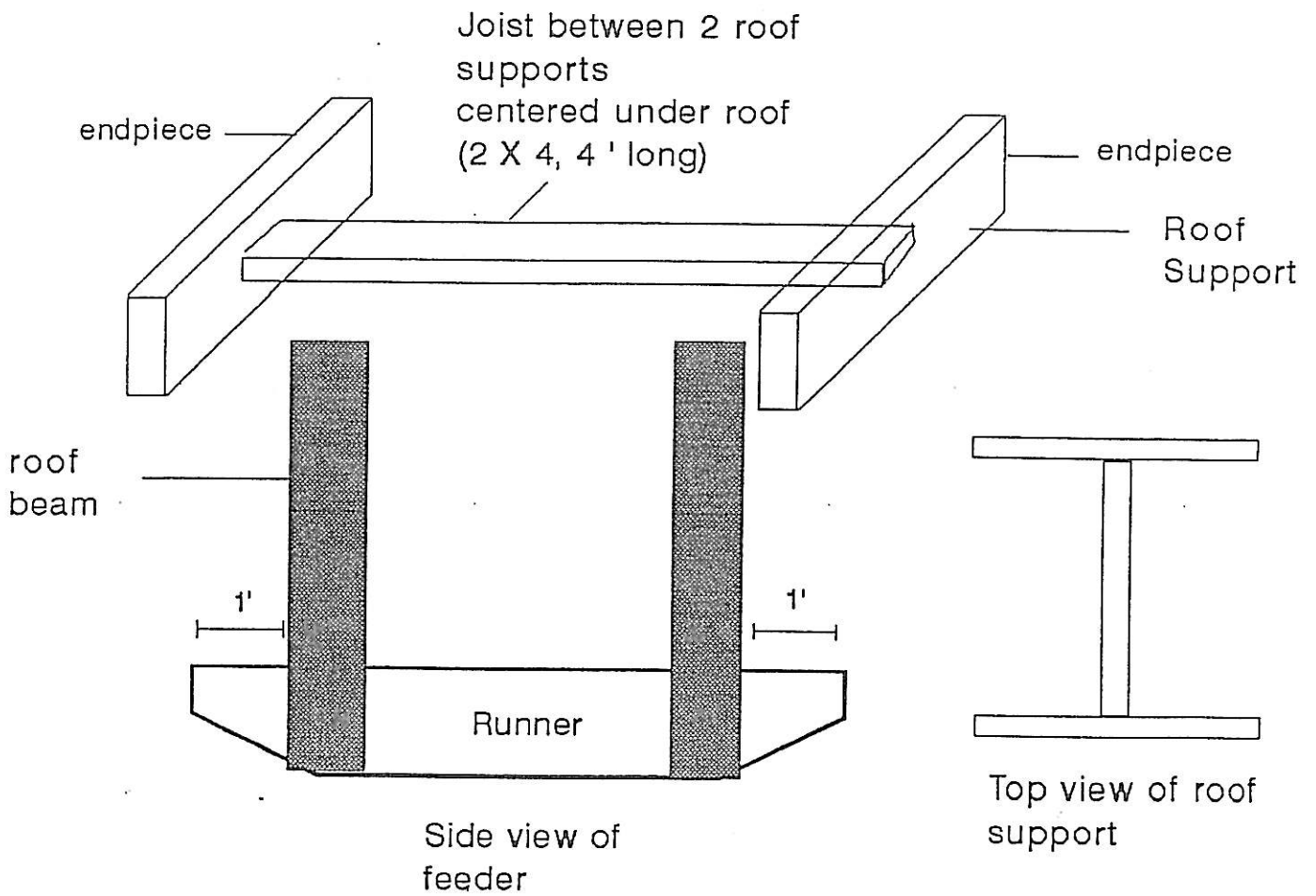
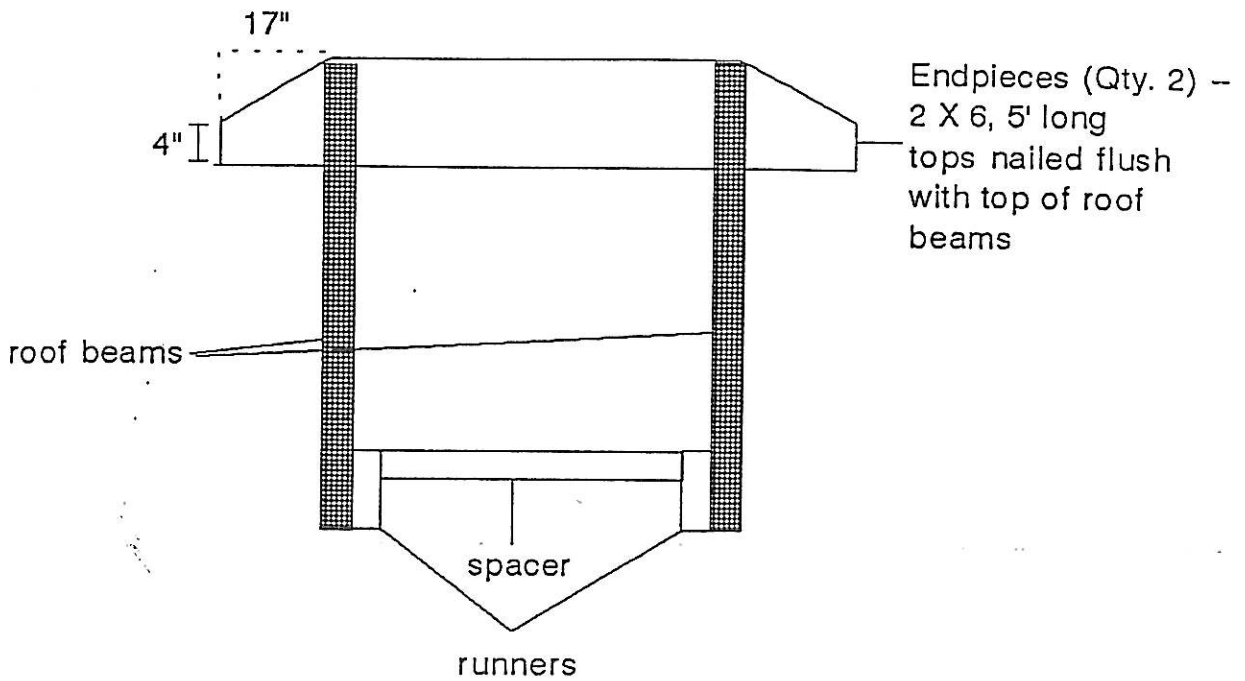
Auburn Deer Feeder



Note: For a sturdier deer feeder, use carriage bolts and/or wood screws to fasten parts together.

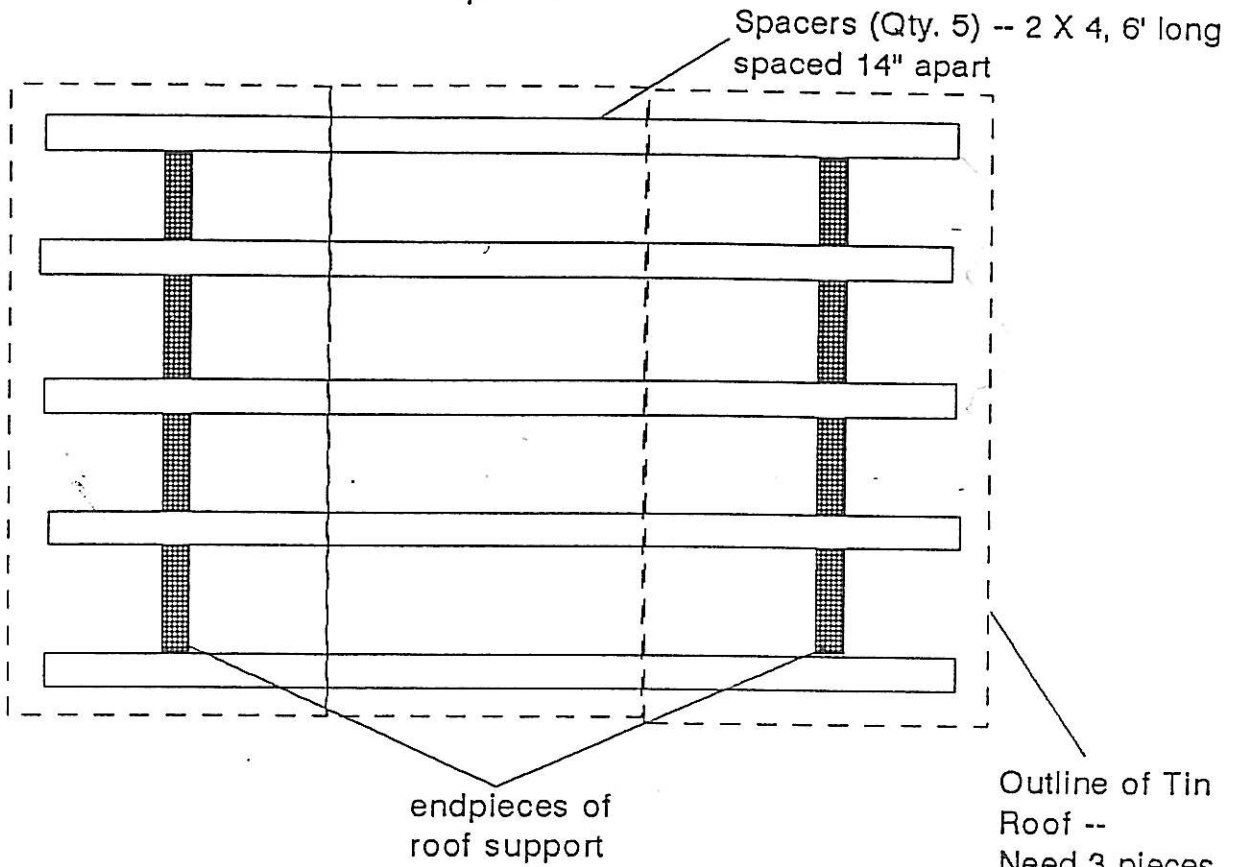


Roof Support

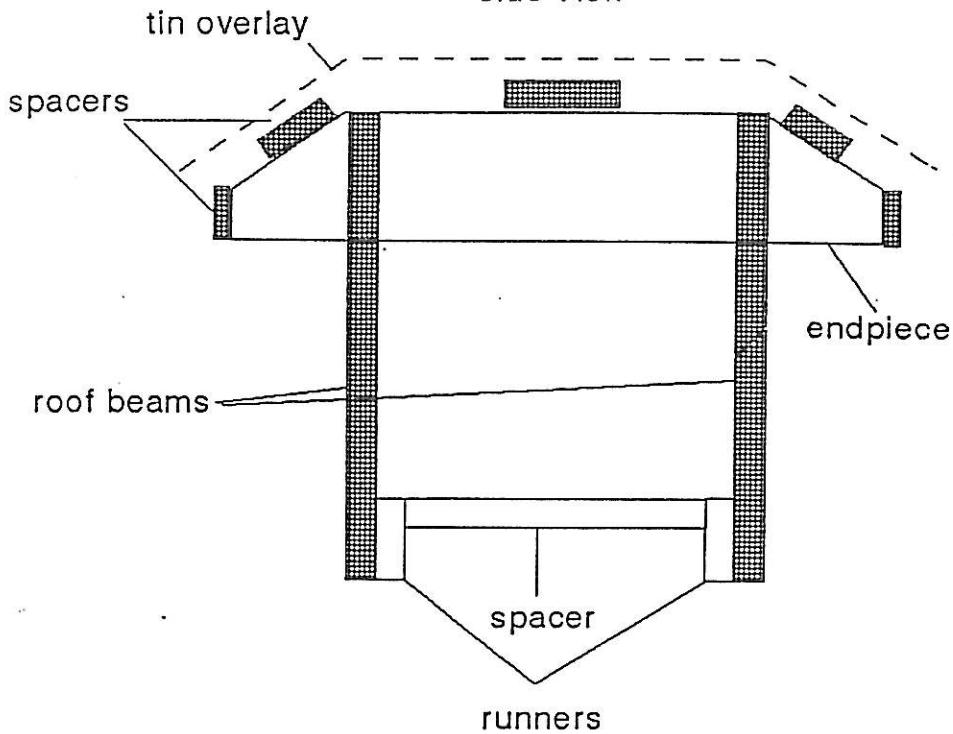


Roof

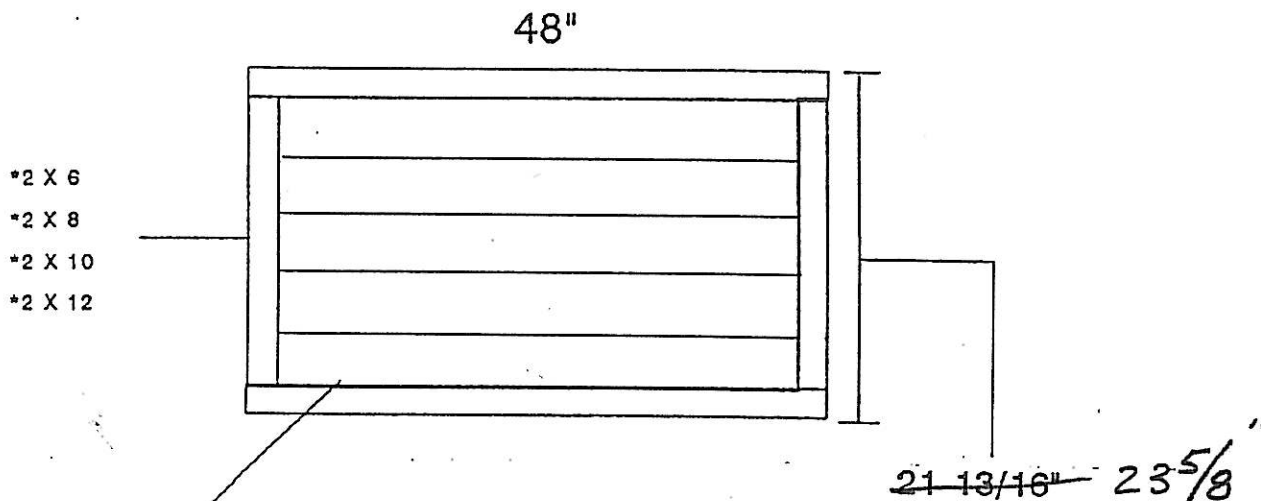
Top View



Side View



Feeder Box (Top View)



or whatever width
that will fit inside
roof beams on top
of runner spacers

Bottom of box - 48" long X 23 3/8" wide
Use 5/4" X 6" treated decking. As decking dries
spaces about 1/8" wide will form between boards
which allows water to drain.

Cover bottom and inside of box with a nylon mesh feed/seed bag type material
stapled to wood. This allows water to pass through but prevents feed/seed
material from clogging spaces between boards.

* Volume of tray increases with board width by
making the feeder box deeper -- we use 2 X 8's.